

EMPIRE

Cast Iron Stoves

Direct-Vent Cast Iron Stoves



Empire Direct-Vent Gas Stoves



Direct-vent Empire Stoves come standard with Empire's Slope Glaze Burner system with expanded ember bed for extra glow. Ceramic beads within the burner swirl and tumble the gas to create naturally swirling flames that are indistinguishable from a wood fire. Topped off with the hand-painted ceramic fiber log set and glowing embers, the effect is stunningly realistic and guaranteed to keep you and your guests mesmerized for hours.



Millivolt or Intermittent Pilot

Empire Stoves are available in two types of ignition – Millivolt (MV) and Intermittent Pilot (IP). The Millivolt system lights a standing pilot with a pushbutton piezo ignitor. Once the standing pilot is lit, the MV system operates with an on/off switch concealed on the back of the burner or with one of our optional remote control systems. The standing pilot allows your Empire stove to provide heat during power outages.

IP systems eliminate the standing pilot for even greater energy savings. Pressing the on/off switch ignites the pilot, which then ignites the main burner. IP systems can also operate with an optional remote control system.

Includes AC adaptor with battery backup. The continuous pilot switch allows your Empire stove to provide heat during extended power outages.

Medium Size Stoves

Our medium stoves are rated at 27,000 Btu and stand 28 inches tall. Choose from five finishes – porcelain black, porcelain mahogany, porcelain sand, matte black, and matte pewter.

Our porcelain stoves start with a hand-applied pigment and glass mixture that's oven fired to 1,500 degrees Fahrenheit to produce a rich durable finish that both softens and highlights edges. Porcelain finishes capture and reflect room light for exceptional visual interest. The porcelain mahogany finish features light and dark accents, for added visual interest.

Our matte finishes, in pewter or black, give your stove a more contemporary look that shows off every exquisitely intricate line and edge of the casting, from the geometric crosshatch detail to the raised ribs along the classically curved legs.

Compact Size Stoves

Our compact stoves stand two feet tall and are rated at 20,000 Btu – ideal for heating smaller spaces. Compact Stoves come in three finishes – porcelain black, porcelain mahogany, and matte black.

Accessories

The optional side shelf sets, available in every stove color, install in seconds to create an old-world look for your Empire stove. Add a black porcelain liner to any medium or compact stove to create even more “depth” and visual interest.

Floor pads are available but not required. You can place your Empire Stove directly on carpet or tile.

All Empire Direct-Vent Cast Iron Stoves include a matte black barrier screen that mounts over the fireplace opening.



TOP LEFT: Empire Medium Direct-Vent Stove in Porcelain Black with optional Side Shelves and required Barrier Screen in matte black.

TOP RIGHT: Empire Compact Direct-Vent Stove in Porcelain Mahogany with required Barrier Screen in matte black.

IMMEDIATE RIGHT: The hand-painted ceramic fiber log set of the Empire Medium Direct-Vent Stove.

FAR RIGHT: Optional Matching Side Shelf Kits add scale and detail to any Empire stove.



Empire Cast Iron Stove Finish Options						
Stove Size	Control	Porcelain Black	Porcelain Mahogany	Matte Black	Porcelain Sand	Matte Pewter
Compact	Millivolt	DVP-20-CC30B	DVP-20-CC30M	DVP-20-CC30F	N/A	N/A
Compact	Intermittent Pilot	DVP-20-CC70B	DVP-20-CA70M	DVP-20-CC70F	N/A	N/A
Medium	Millivolt	DVP-30-CC30B	DVP-30-CC30M	DVP-30-CC30F	DVP-30-CC30S	DVP-CC30W
Medium	Intermittent Pilot	DVP-30-CC70B	DVP-30-CC70M	DVP-30-CC70F	DVP-30-CC70S	DVP-CC70W

Stone Colors for Inlays & Floor Pads					
	Adobe Frost Granite	Patina Mocha Tile	American Beauty Marble	Temple Gray Marble	Venetian Gold Granite
Stone Inlay for Medium Stove <i>(replaces metal grill inlay on Medium Stoves only)</i>	CSI-9A	CSI-10M	CSI0-12A	CSI-11G	CSI-8V
Traditional Floor Pad Stone Inlay Kit (CIFPB-1)	CIFS-10M	CIFS-10A	CIFS-12A	CIFS-11G	CIFS-8V
Corner Floor Pad Stone Inlay Kit (CIFPB-1C)	CIFS-9AC	CIFS-10MC	CIFS-12AC	CIFS-11GC	CIFS-8VC

Direct-Vent Technology

Empire direct-vent models use standard 4 x 6 5/8 vent pipe and generate sufficient heat to warm any room in your home or provide total heat for a small cabin. Your dealer can help you determine your heating requirements. A direct-vent system draws in outdoor air to support combustion and sends its exhaust directly outdoors. The versatile direct-vent technology allows your dealer to install your stove with vertical or horizontal venting. All DV Empire installations require a 45° elbow.

All Empire Cast Iron Stoves ship assembled in one carton, for easier set-up.

Empire Cast Iron Stoves are now available in two sizes – compact (DVP20) and medium (DVP30).

Cast Iron Stove Shelf Kits

(fit compact and medium stoves, includes left and right shelf)

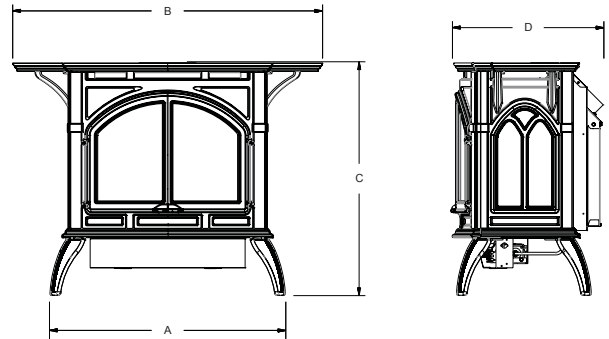
CSK-B	Porcelain Black
CSK-F	Matte Black
CSK-M	Porcelain Mahogany
CSK-S	Porcelain Sand
CSK-W	Matte Pewter

Accessories

CIB-3	Automatic Variable Speed Blower. Fits Medium Cast Iron Stove.
CIB-4	Automatic Variable Speed Blower. Fits Compact Cast Iron Stove.
DVP-20-CCKR	Liner, Porcelain Black, fits DVP-20-CC Stoves
DVP-30-CCKR	Liner, Porcelain Black, fits DVP-30-CC Stoves
DVKHP-45	Direct-Vent Kit for Horizontal Run (See Price List for Vent Kit Details)
DVKVP-45	Direct-Vent Kit for Vertical Run (See Price List for Vent Kit Details)

Control Options

FRBC	Battery Operated Remote Control
FRBTC	Battery Operated Remote Control with Thermostat
FREC	Electric Remote
FWS-1	On/Off Wall Switch
TMV	Wall Thermostat - Reed Switch
TRW	Wall Thermostat - Wireless Remote
RKVN	Converts Manual Variable to Remote Variable (Natural)
RKVP	Converts Manual Variable to Remote Variable (LP)



Model	A	B	C	D
DVP-20-CC	21 1/2	32 3/4	24 1/8	15 3/8
DVP-30-CC	28 1/16	37	27 3/4	17 1/8

Clearance to Combustible Materials

Side Wall	6 in.	Adjacent Corner Wall	4 in.
Back Wall	2 in.	Ceiling	36 in.

Gas Inlet

Type of Gas (State on Order)	Natural or LP
Iron Pipe Size (N.P.T.)	1/2-inch DVP
Ignition System	Standing Pilot/Piezo or Intermittent Pilot

Warranty

10-year limited warranty on combustion chamber, limited lifetime on glass. All other parts carry a three-year limited warranty.

All remote controls carry a one-year limited warranty.

Note: Empire Comfort Systems is committed to continuous product improvement; specifications are subject to change without notice. Flame size, shape and color will vary from photos.

Member of the following industry associations:



This appliance is design-certified to the ANSI standard by:



SINCE 1932

918 Freeburg Ave.

Belleville, IL 62220-2623

E-mail: info@empirecomfort.com

ECIS-00915 5/13/16