

DVCT(36,40) LINER KIT INSTALLATION INSTRUCTIONS

CERAMIC FIBER LINERS		
Model 36	Model 40	Description
DVP36CPWH	DVP40CPWH	Liner, Whitewash Herringbone Brick

LEAVE INSTRUCTIONS WITH THE HOMEOWNER.

CARTON CONTENTS	
Description	Ceramic Fiber Liners
Liner Rear	1
Liner Side - Left	1
Liner Side - Right	1
Floor	1
Liner Bracket	1
#10 x 1/2 Screw	3
Liner Top Assembly	1

TOOLS NEEDED: Phillips Screwdriver

INSTALL FLOOR LINERS

1. Remove barrier screen and glass door. **See the owner's manual for instructions.**
2. Place LINER as shown. **See Figure 1.**

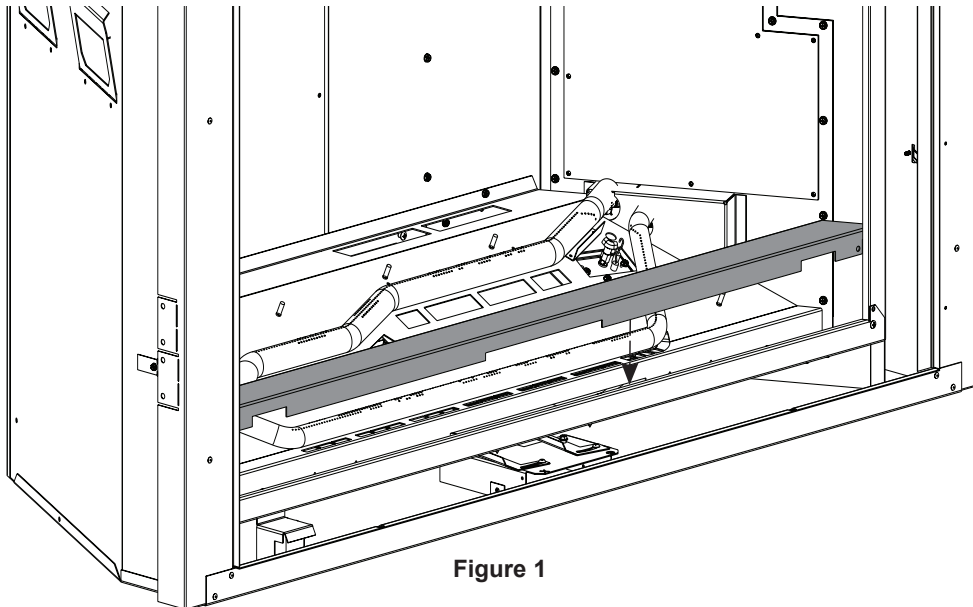


Figure 1

NOTICE: Video of liner installation available on our website at: www.empirecomfort.com.

QR Code



INSTALLATION OF LINER

1. Place LINER REAR on the back of the firebox and hold with one hand. See Figure 2.

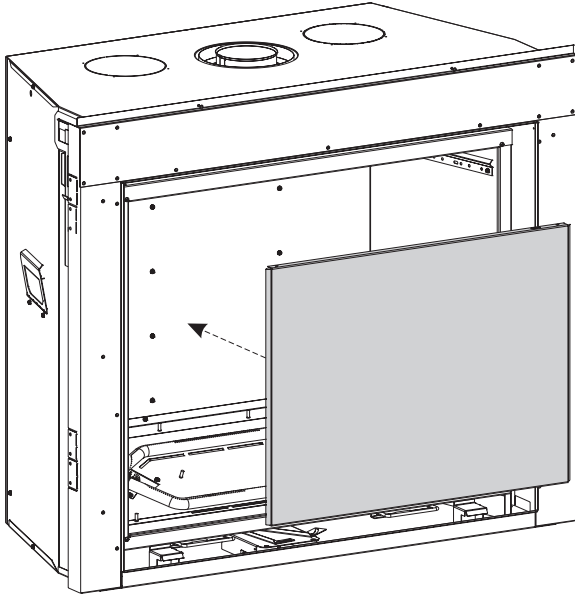


Figure 2

2. Place LINER SIDE- RIGHT against right firebox wall and LINER REAR and push back to hold into place. Repeat for LINER SIDE - LEFT. See Figure 3.

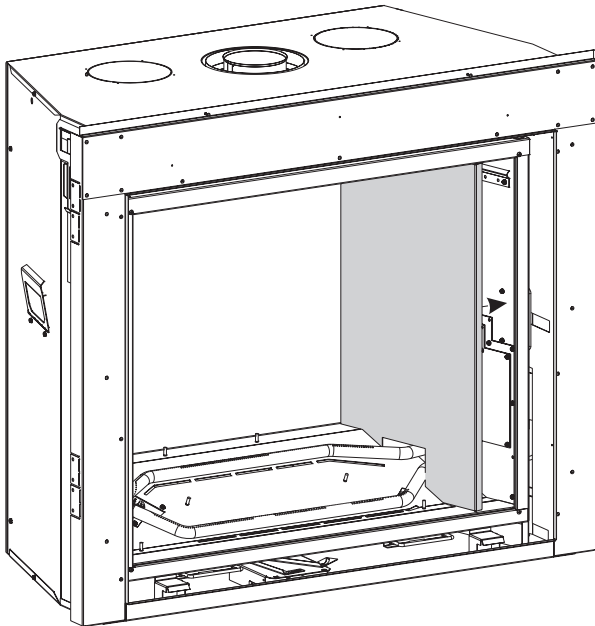


Figure 3

3. Place the LINER TOP ASSEMBLY so that it rests on the LINER REAR and secure with LINER BRACKET and (3) screws. See figure 4.

NOTICE: Ensure (painted side) faces down, (black side) should face up.

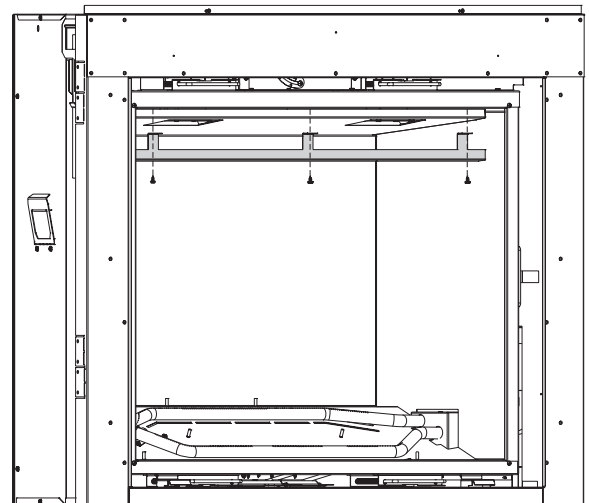
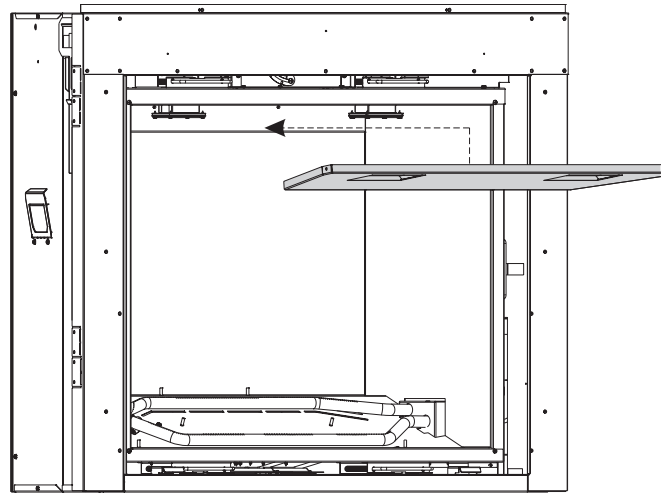
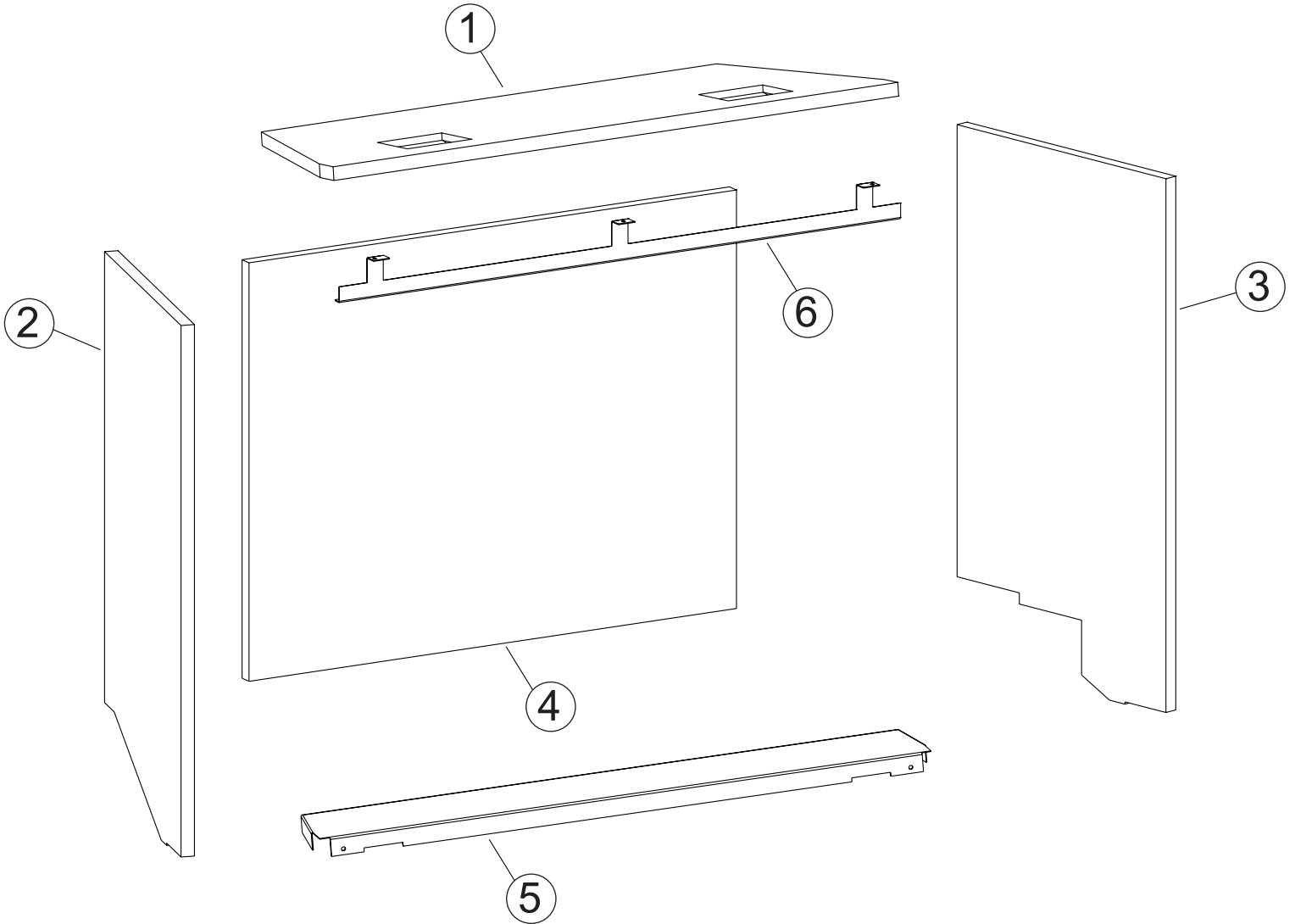


Figure 4

CERAMIC FIBER LINER KIT EXPLODED VIEW AND PARTS LIST



PARTS LIST				
Index Number	Model And Part Number		Description	Quantity Supplied
	DVP36CPWH	DVP40CPWH		
1	37309	34771	LINER TOP	1
2	41638	41642	LINER SIDE - LEFT	1
3	41639	41643	LINER SIDE - RIGHT	1
4	41637	41641	LINER REAR	1
5	37238	36635	LINER FLOOR	1
6	37221	34767	LINER BRACKET	1



**Empire Comfort Systems Inc.
Belleville, IL**

If you have a general question
about our products, please e-mail
us at info@empirecomfort.com.

If you have a service or repair
question, please contact your dealer.

SINCE 1932

www.empirecomfort.com