

FOR USE ON: REFLECTIVE LINER KIT

INSTRUCTIONS MUST BE LEFT WITH THE OWNER FOR FUTURE REFERENCE AFTER INSTALLATION.

REFLECTIVE LINER KIT
VBP60SLKR-1
FOR USE ON - VFLB60SP90(N,P)-1

1. Remove barrier screen assembly from fireplace by lifting up slightly and pulling out. **See Figure 1.**

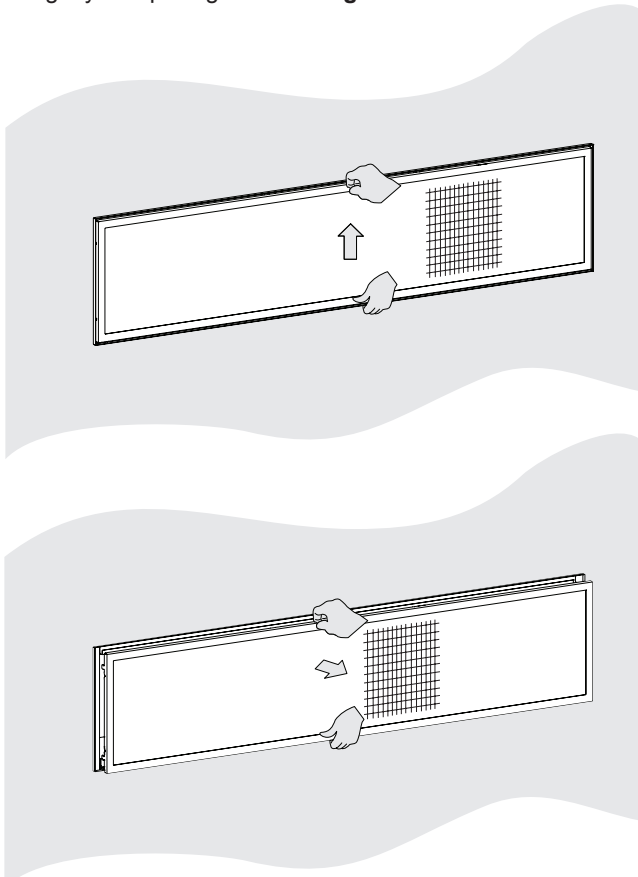


Figure 1

2. If installed, remove log set and decorative glass droplets before removing decorative crushed glass into a clean shop-vac.

⚠ CAUTION

To prevent injury, use gloves and eye protection while removing the logs, rocks, decorative glass or droplets.

NOTICE: Do not handle the logs, rocks, or decorative glass with your bare hands! Always wear gloves to prevent skin irritation from sharp edges. After removing gloves, wash hands with soap and water.

3. Remove glass panels around burner. Set aside. **See Figure 2.**

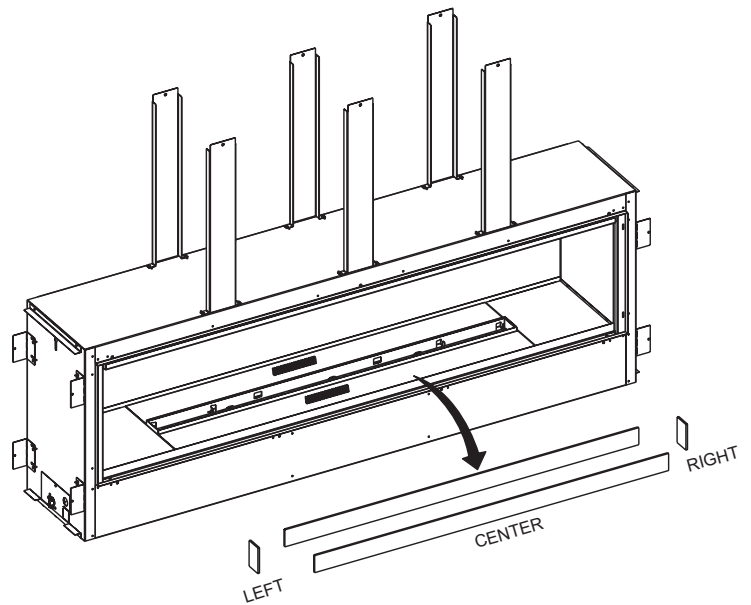


Figure 2

4. Remove the burner glass support screens by lifting them up and out. Set aside. **See Figure 3.**

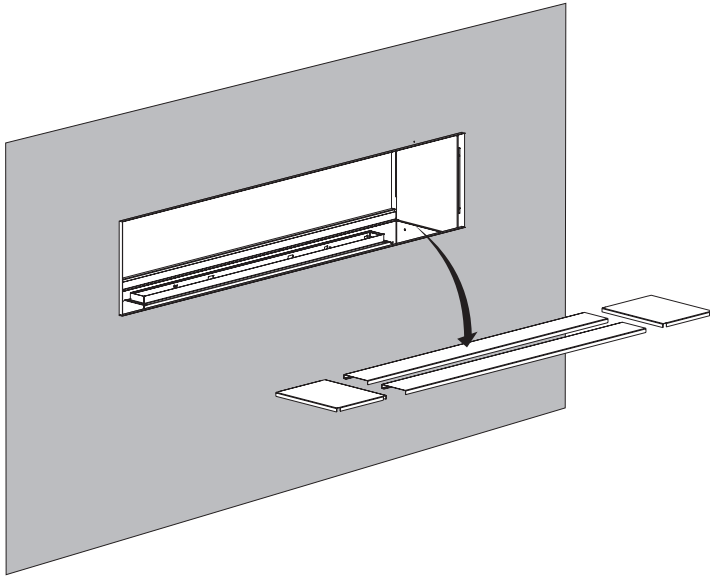


Figure 3

5. Remove the reflective burner cover assembly by lifting it up and out. Set aside. **See Figure 4.**

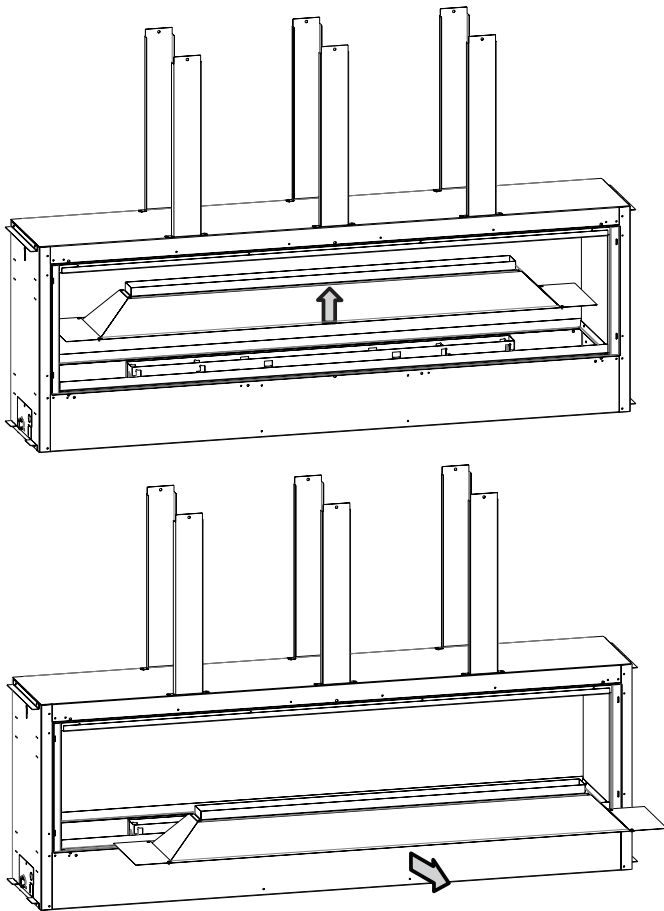


Figure 4

6. Remove the inner firebox top by removing ten Phillips Truss Head Screws. Set aside. **See Figure 5.**

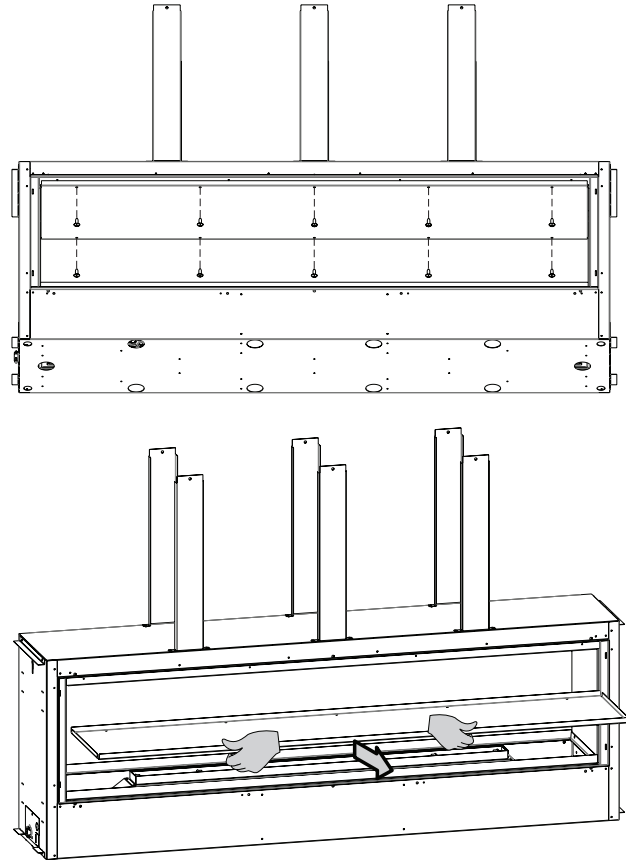


Figure 5

NOTE: If a decorative front will be installed, install it at this time. Refer to the instructions provided with the decorative front kit.

7. Position the liner as shown in **Figure 6** and hold in place.

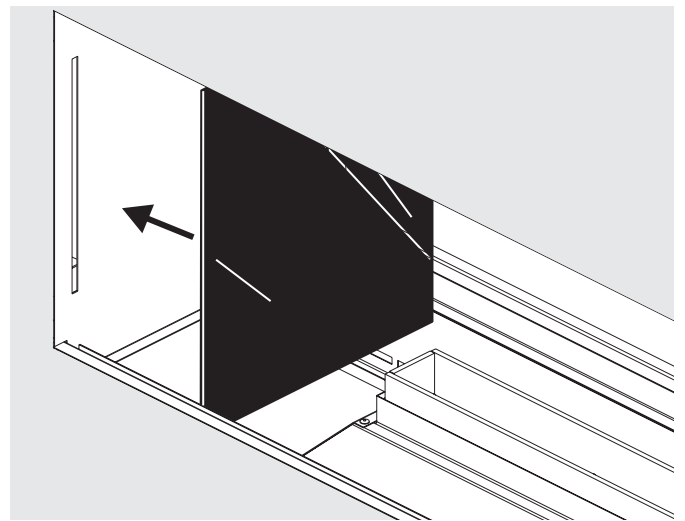


Figure 6

8. Repeat for the other side.

9. Secure the liners in place by reinstalling the inner firebox top and ten screws removed in Step 6. **See Figure 5.**
 10. Position liner in center of side.
 11. Reinstall the reflective burner cover assembly removed in Step 5. **See Figure 4.**
 12. Reinstall the glass support screens removed in Step 4. **See Figure 3.**
 13. Reinstall Glass panels removed in Step 3. **See Figure 2.**
- NOTE:** Verify glass panels are level.
14. Install crushed glass and other decorative media. Refer to the installation instructions provided with the fireplace or decorative media.
 15. Reinstall the Barrier Screen onto the fireplace by lining up the tabs with the slots in the firebox. Push the barrier screen toward the unit and lower it slightly to lock in place. **See Figure 7.**

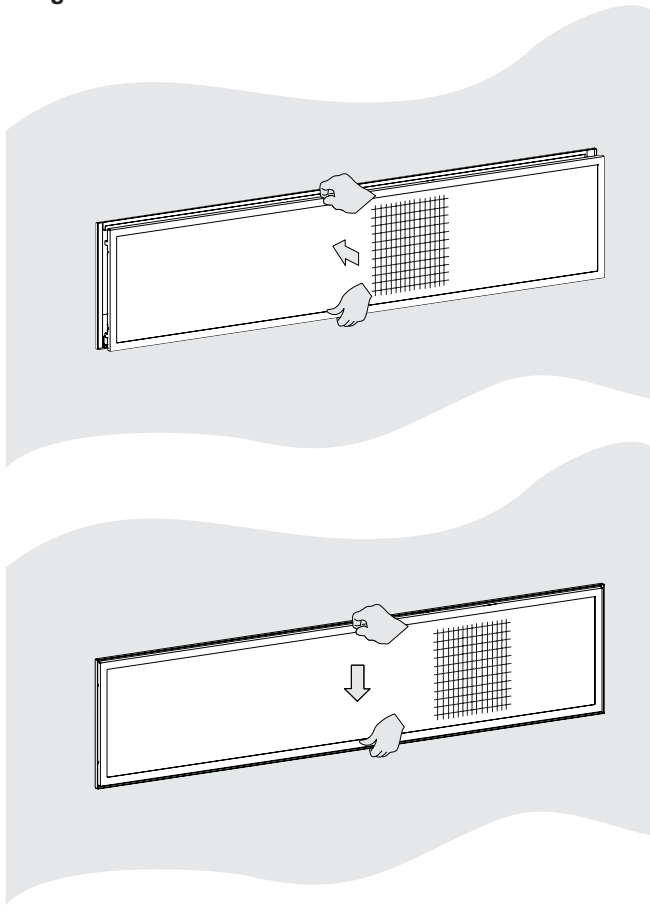
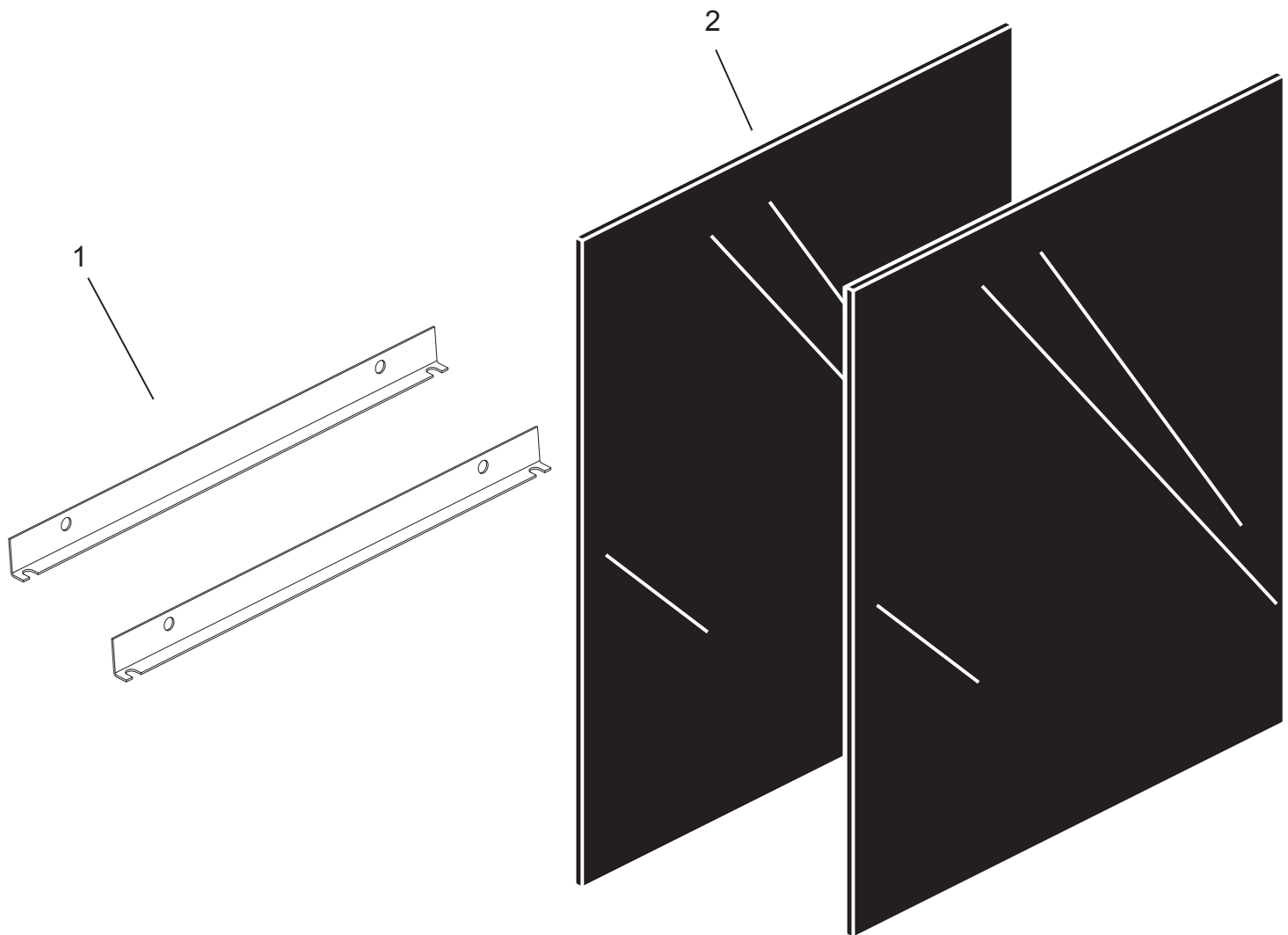


Figure 7

16. The two brackets included in this kit are not used. Discard the liner brackets.



INDEX NUMBER	PART NUMBER	DESCRIPTION
	VBP60SLKR	
1	37568	Liner Bracket (Not Used)
2	R12399	Liner - Side (2 Required)



SINCE 1932

www.empirecomfort.com

Empire Comfort Systems Inc.
Belleville, IL

If you have a general question about our products, please e-mail us at info@empirecomfort.com.

If you have a service or repair question, please contact your dealer.