



# INSTALLATION INSTRUCTIONS DIRECT VENT GAS FIREPLACE

**FOR USE ON: DVCT50CFP95N CONVERSION KIT PART NUMBER 38226  
FOR CONVERSION TO PROPANE GAS**

## **⚠ WARNING**

This conversion kit must be installed by an Empire Comfort Systems distributor (or other qualified agency<sup>1</sup>)\*in accordance with the manufacturer’s instructions and all codes and requirements of the authority having jurisdiction. Failure to follow instructions could result in serious injury or property damage. The qualified agency performing this work assumes responsibility for this conversion.

**1National Fuel Gas Code Z223.1 (Latest Edition)**

\*The term “qualified individual, firm, corporation or company which either in person or through a representative is engaged in and is responsible for (a) the installation of gas piping or (b) the connection, installation repair, or servicing of equipment, who is experienced in such work, familiar with all precautions required, and has complied with all the requirements of the authority having jurisdiction.

## **CHECK SAFETY SHUTDOWN PERFORMANCE**

## **⚠ WARNING**

**Perform the safety shutdown test anytime work is done on a gas system to avoid the possibility of fire or explosion with property damage, personal injury or loss of life.**

## **SAFETY SHUTDOWN SYSTEM**

Intermittent Pilot System

1. Turn "OFF" using remote control. Main burner and pilot should go off.
2. Pilot gas flow should stop within 30 seconds.

<b>PARTS LIST</b>		
<b>Part Description</b>	<b>Conversion Kit</b>	<b>Quantity Supplied</b>
Main Burner Orifice, Front	P210	1
Main Burner Orifice, Rear	P308	1
SIT Gas Valve Conversion Kit	R11382	1
Gas Conversion Label	1224	1

## **TOOLS NEEDED:**

- Standard Screwdriver
- 5/16 Inch Hex Driver
- 7/16 Inch Deep Socket Set
- 1/4 Inch Hex Driver
- 7/16 Inch Wrench

## **Gas input for direct-vent fireplace converted to Propane Gas: DVCT50CFP95N**

The direct-vent gas fireplace when converted to Propane Gas will have a manifold pressure of approximately 10.0 inches w.c. (2.49kPa) at the valve outlet with the inlet pressure to the valve from a minimum of 10.8 inches w.c. (2.68kPa) for the purpose of input adjustment to a maximum of 14.0 inches w.c. (3.484kPa).

## INSTRUCTIONS FOR CONVERSION

1. If the fireplace is installed, turn OFF gas and electric supply to fireplace before making gas conversion. Allow fireplace to cool completely.
2. Remove barrier screen, glass door, logs and embers, and liners (See Homeowner's Manual and Liner Instructions).

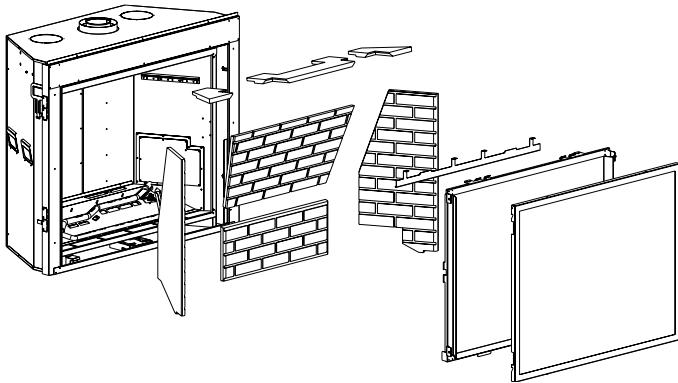


Figure 1

3. Remove front and rear burners by removing screws on left and pulling out towards left side. See Figure 2.

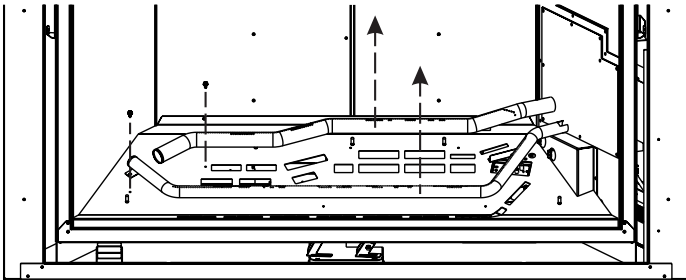


Figure 2

4. Remove (2) screws holding pilot assembly to burner pan. This will allow pilot assembly to drop.
5. Remove (2) screws holding burner base in place. Lift burner base out of firebox. See Figure 4.

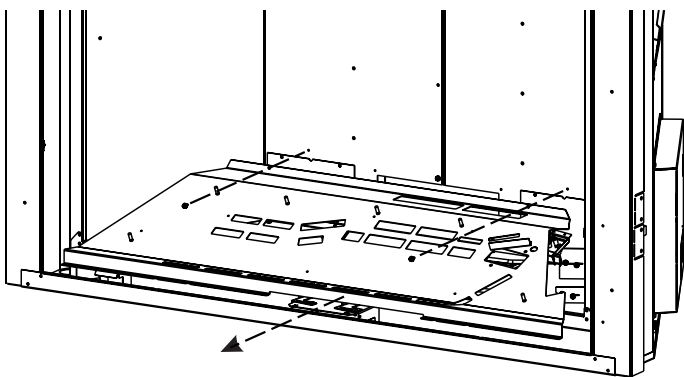


Figure 4

6. Use needle-nose pliers to remove targets and discard. See Figure 5.

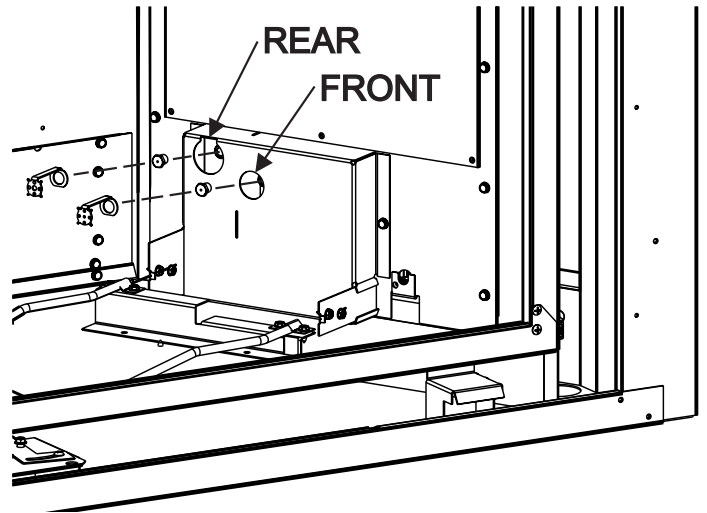


Figure 5

7. Use a 7/16 inch deep socket set to remove front and rear orifices.
8. Use a 7/16 inch deep socket set to install orifice marked "1.4" in rear orifice holder and "#51" in front orifice holder.

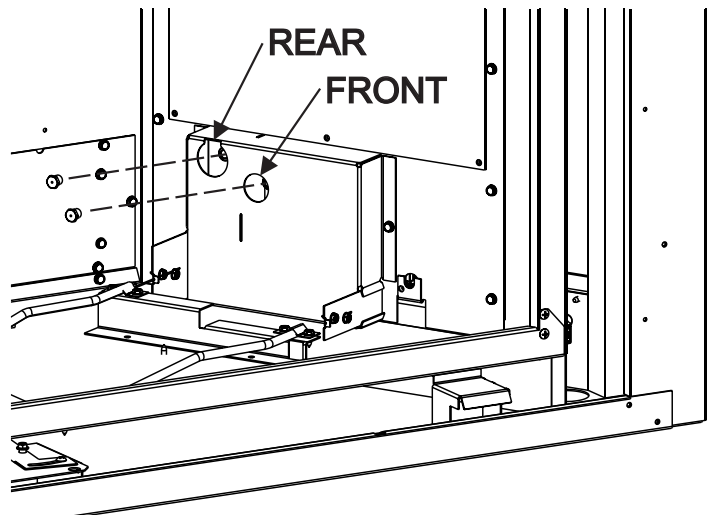
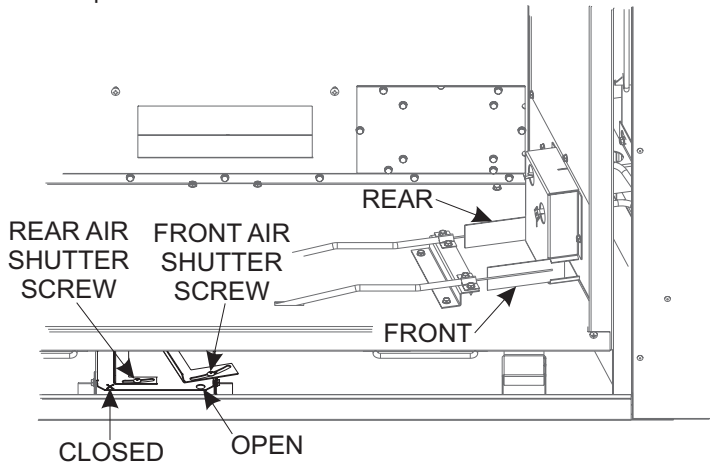


Figure 6

9. Loosen rear air shutter screw and rotate handle to the right until full open is achieved and tighten down screw. **See Figure 7.**
10. Repeat with front.

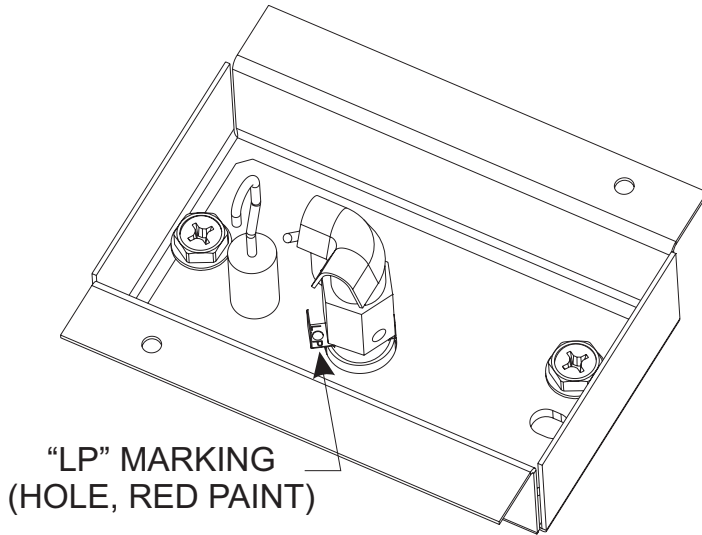
Check the main burner flame and pilot burner flame for proper flame characteristics, as outlined in the Installation Instructions and Owner's Manual.

If fireplace is not installed or product registration card has not been returned to Empire Comfort System's, check off type of gas converted to on the card. Also indicate conversion by adding "Conv." behind type of gas.



**Figure 7**

11. Using a 7/16 inch open wrench, loosen pilot body by slightly turning counter-clockwise. Slide orifice bracket to other side and tighten pilot body clockwise. **See Figure 8.**



**Figure 8**

12. Replace items removed in steps 2-5 in reverse order.
13. Turn gas and electric on.
14. Gas conversion completed.



**Empire Comfort Systems Inc.**  
**Belleville, IL**

If you have a general question  
about our products, please e-mail  
us at [info@empirecomfort.com](mailto:info@empirecomfort.com).

If you have a service or repair  
question, please contact your dealer.

SINCE 1932

**[www.empirecomfort.com](http://www.empirecomfort.com)**