

1. The Glass Latch Tool is shipped with the unit attached to the left-hand side. Un-screw the Glass Latch tool from the unit. Replace screw removed after tool removal. (See Figure 1)

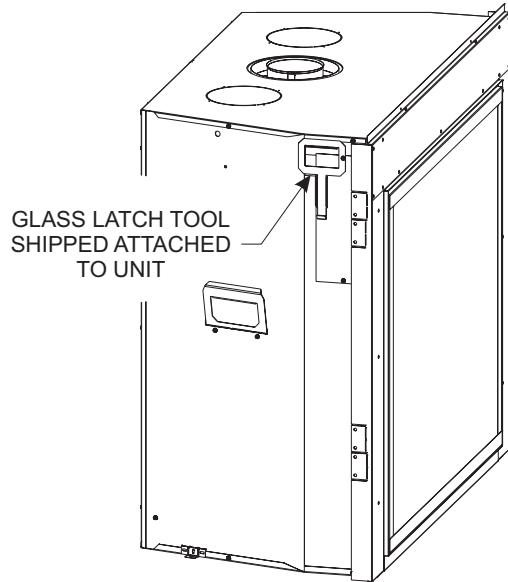


Figure 1

3. Use the Glass Latch Tool to grip the latch bar and pry it over the Glass Frame hook flanges. Tilt the Glass Frame towards you and pull upwards to remove it from the unit. (See Figure 3)

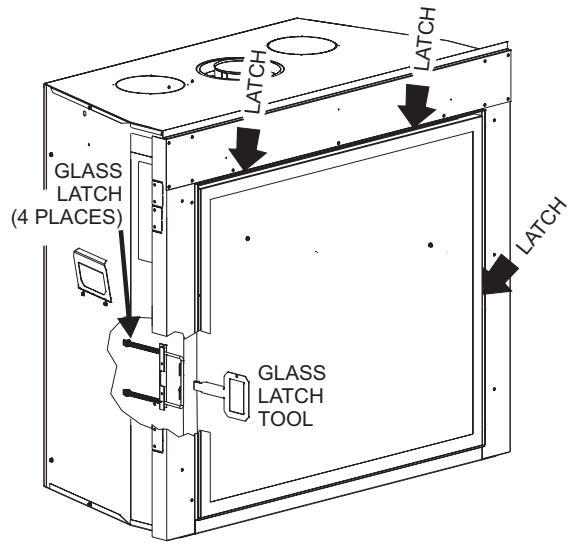


Figure 3

2. Lift barrier screen and pull towards you.

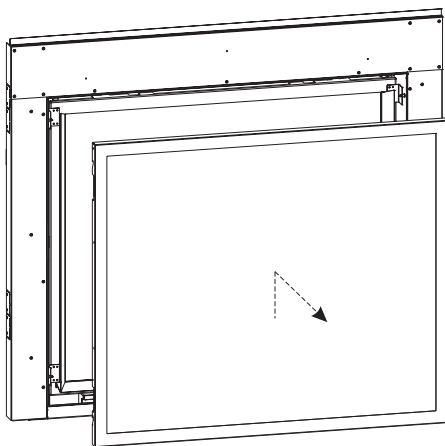


Figure 2

**CAUTION**

Glass clips are tightly sprung. If the latch tool slips off of the latch while pulling, injury may occur. Ensure that the latch tool is completely hooked around the glass latch before trying to disengage the glass clips from the glass assembly.